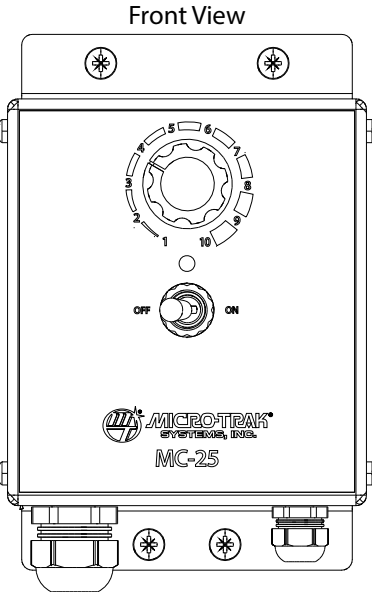
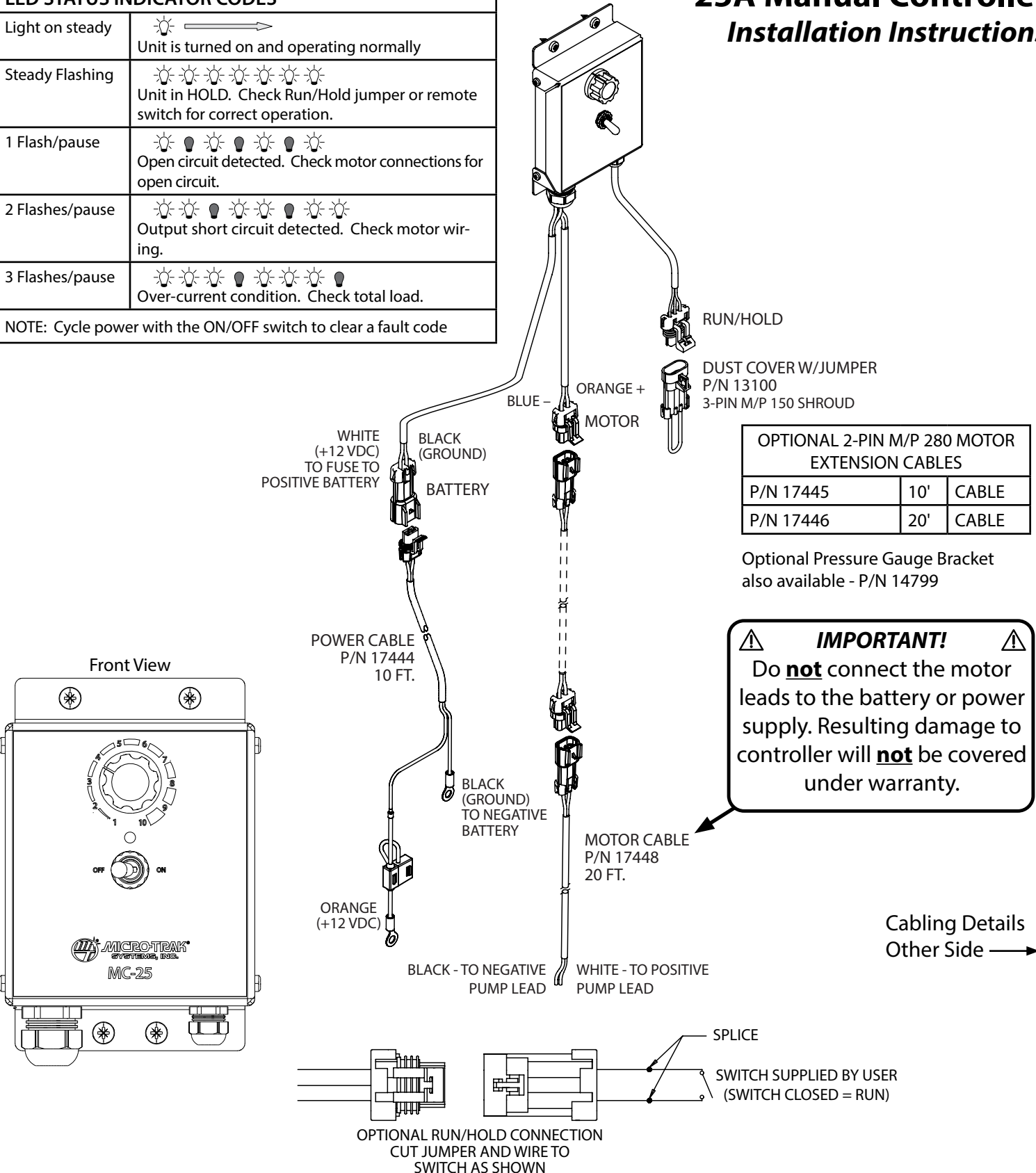




LED STATUS INDICATOR CODES

Light on steady	Unit is turned on and operating normally
Steady Flashing	Unit in HOLD. Check Run/Hold jumper or remote switch for correct operation.
1 Flash/pause	Open circuit detected. Check motor connections for open circuit.
2 Flashes/pause	Output short circuit detected. Check motor wiring.
3 Flashes/pause	Over-current condition. Check total load.
NOTE: Cycle power with the ON/OFF switch to clear a fault code	

**25A Manual Controller
Installation Instructions**



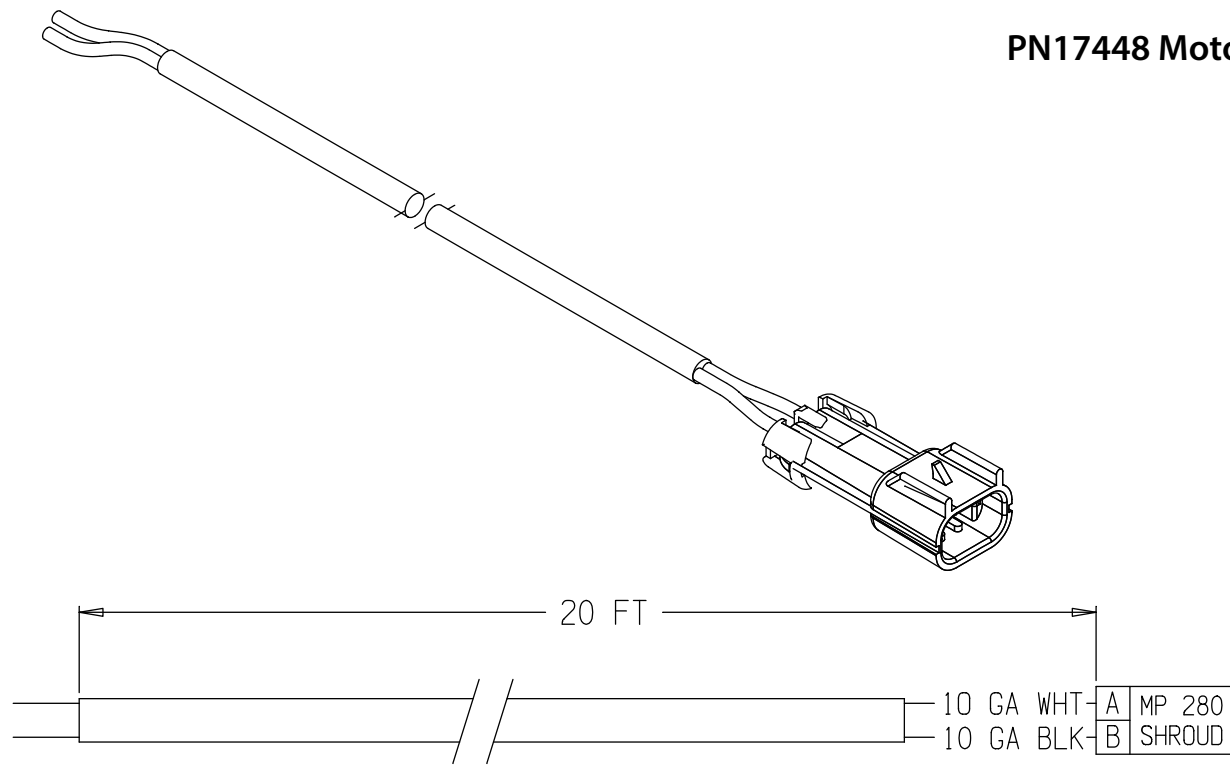
OPTIONAL 2-PIN M/P 280 MOTOR EXTENSION CABLES		
P/N 17445	10'	CABLE
P/N 17446	20'	CABLE

Optional Pressure Gauge Bracket also available - P/N 14799

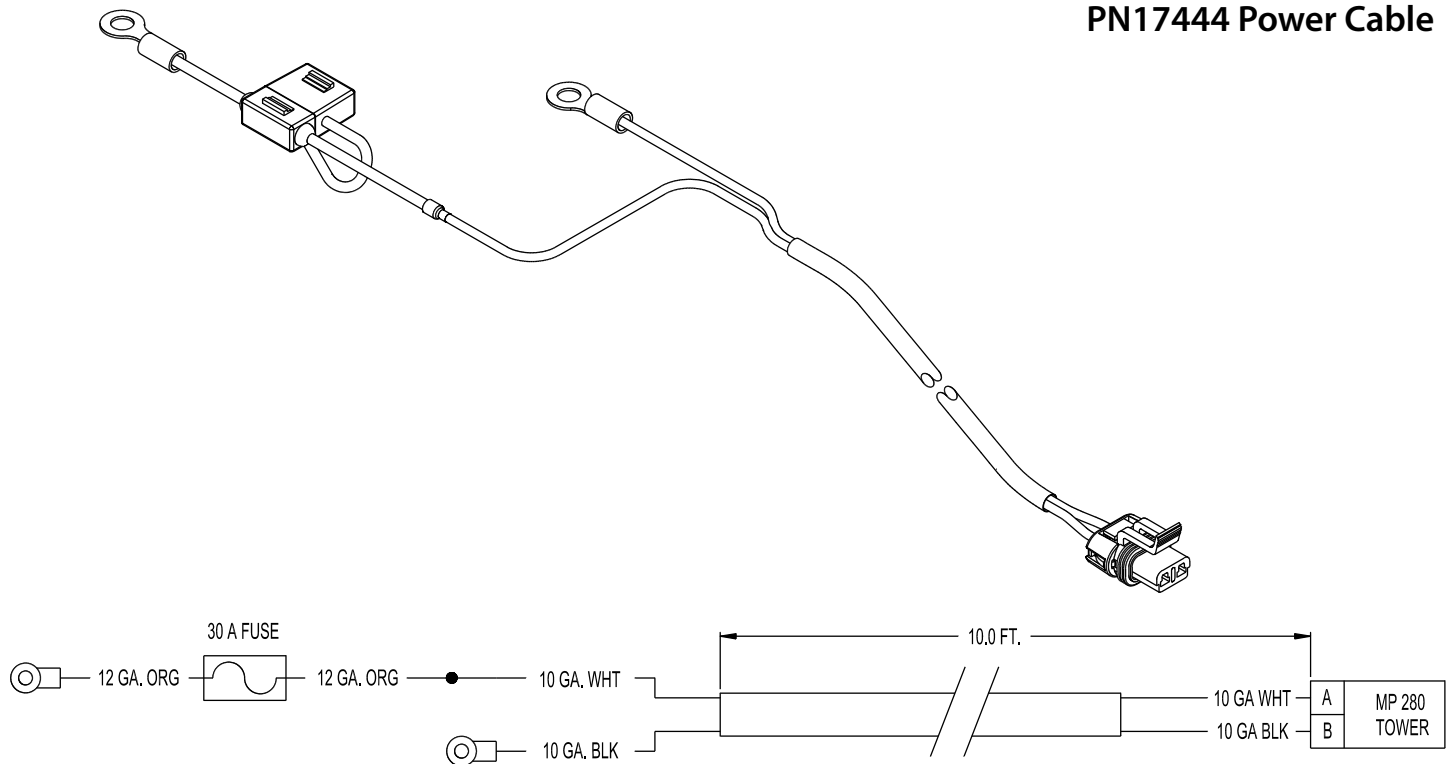
IMPORTANT!
Do **not** connect the motor leads to the battery or power supply. Resulting damage to controller will **not** be covered under warranty.

Cabling Details
Other Side →

PN17448 Motor Cable

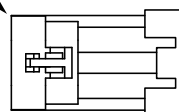


PN17444 Power Cable



PN13100 Dust Cover w/jumper

3-Pin MetriPack 150 Shroud



Jumper Wire:

Cut wire here to add switch for Run/Hold function.

Switch Closed = Run