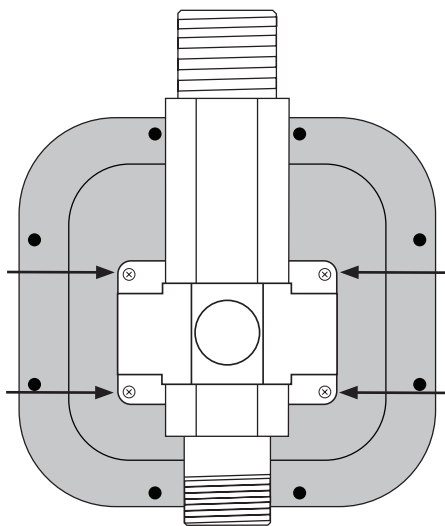


TO REPLACE GEAR HEAD

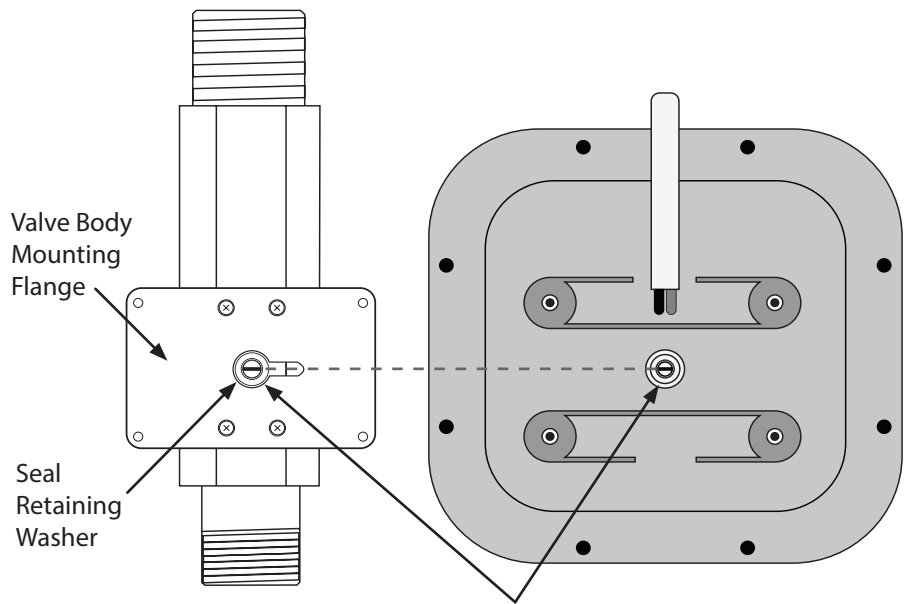
1. Remove the 4 screws that fasten the gear head to valve body mounting flange. *See Illustration 1.* Remove gear head from valve body. **DO NOT** misplace the stainless-steel seal retaining washer that sits over the shaft seal in the valve body. This washer will need to be reused.
2. Clean silicone residue from valve body mounting flange. Be certain the keyhole shaped cutout area is completely clear of debris and residue. *See Illustration 2.*
3. Place stainless-steel washer over shaft seal in valve body (if it was removed in Step 1). Carefully place new gear head onto valve body making sure the groove in the valve body shaft and the tongue on the gear head shaft properly engage. If necessary, rotate the gear head back and forth until they fit together. (*See Illustration 2*).
4. Make sure mounting flange support bracket is in place, then start all four valve body to gear head mounting screws. Securely tighten them in a crisscross pattern.

Illustration 1



Remove 4 screws on valve body mounting plate to release gear head assembly

Illustration 2



These parts must engage together on re-assembly