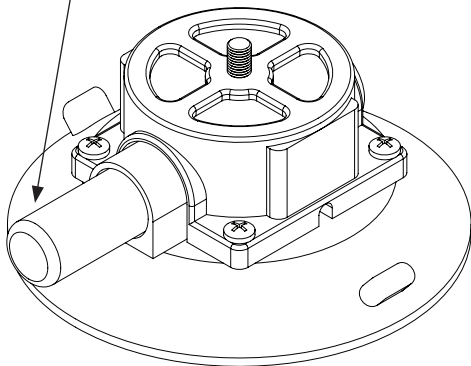




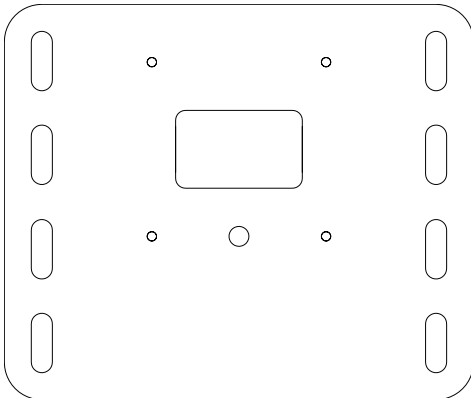
The vacuum mount kit is an optional console mounting assembly for use with Grain-Trak and MT-NH3 II Consoles.

Individual Kit Parts

Suction Push Button



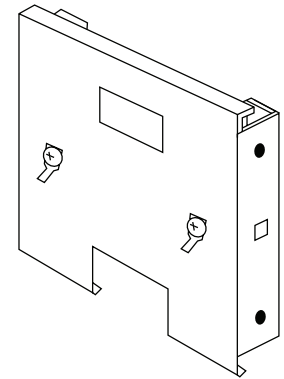
Suction Cup



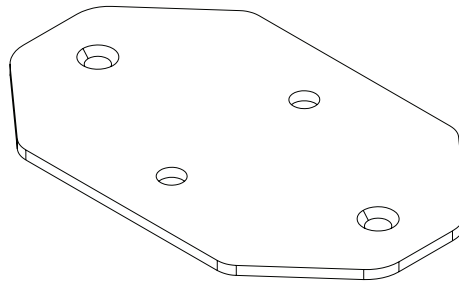
"L" Bracket (square) Base Plate

Mounting Hardware (Not Shown)

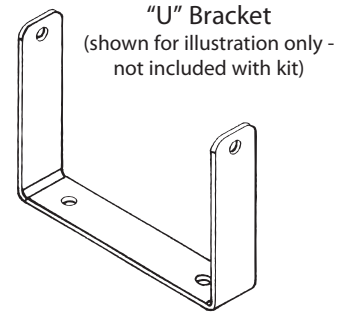
- 1/4" x 1/2" Bolts (8)
- Whiz Lock Nuts (8)
- 1/2" Plastite Screws (4)
- 8-32 x 1/2" Screws (2)
- 8-32 Whiz Lock Nuts (2)



Current Console Bracket
 (shown for illustration only -
 not included with kit)



"U" Bracket (octagon) Base Plate



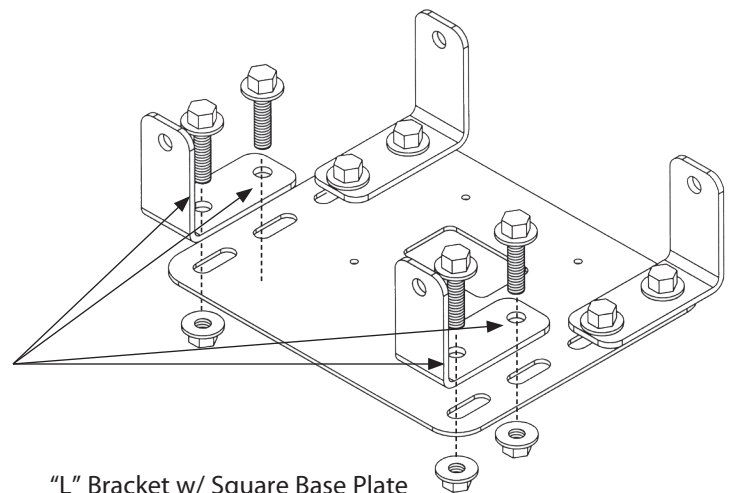
"U" Bracket
 (shown for illustration only -
 not included with kit)

Installation

When installing your console, make sure you select a good mounting location. The console must be mounted in an area that is convenient for the operator, is easily accessible, and does not obstruct the view of the field or the road. It must also be installed in an area that is free of excessive cables and heat.

The suction cup will adhere to almost any clean, non-porous surface. It may be mounted onto the glass on the vehicle or any flat metal surface on the implement frame.

1. Install the console mount brackets on top of base plate with the 1/4" x 1/2" bolts and whiz lock nuts as shown.



"L" Bracket w/ Square Base Plate



- To install the base plate on top of the suction cup, match the center hole to the corresponding stud on the suction cup, and fasten with the provided lock nut.

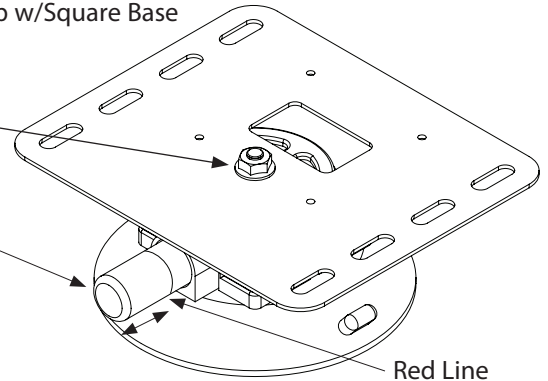
Make sure the plate is positioned (it will appear off-center) so that the suction push button is free to operate. *See Illustration to the right.*

- After selecting the best possible installation location, prepare the area for the suction cup mount. The area should be clean and completely dry. Place the suction cup firmly against the mounting surface and press the suction push button repeatedly until the red line disappears.

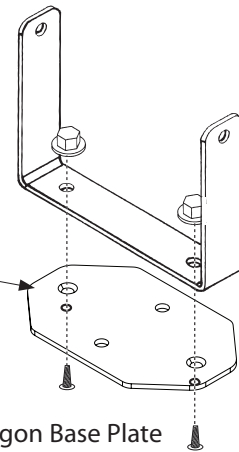
- Place the console into the console mount brackets as illustrated in the console's installation and operator's manual.

Please Note: Included in this kit are 2 base plates, a square and an octagon. The square base plate is typically used if you are mounting multiple consoles, or if you have "L" brackets with your console. The octagon base plate is typically used for single console installations, or if you have a "U" bracket with your console. However, there are exceptions when mounting previous mounting brackets with current mounting brackets. See section below.

Suction Cup w/Square Base



Red Line



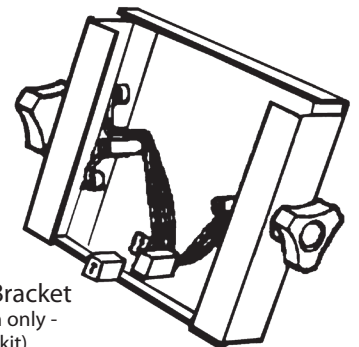
"U" Bracket w/Octagon Base Plate

What if I have a previous console bracket and I want to mount it with a new console bracket?

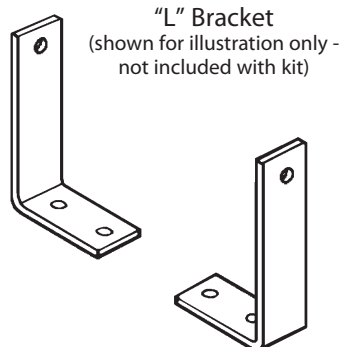
To ensure customer satisfaction, Micro-Trak designed the square base plate in the vacuum mount kit to fit both the previous and current console brackets, using either the "L" or "U" bracket (included with your console).

To use this method, simply mount the square base plate to the suction cup, following instruction number 2 at the top of the page. Then, mount "L" or "U" brackets in the positions shown.

NOTE: Make sure the suction cup is mounted to a clean, non-porous surface.



Previous Console Bracket
 (shown for illustration only - not included with kit)



"L" Bracket
 (shown for illustration only - not included with kit)