



MICRO-TRAK
SYSTEMS, INC.

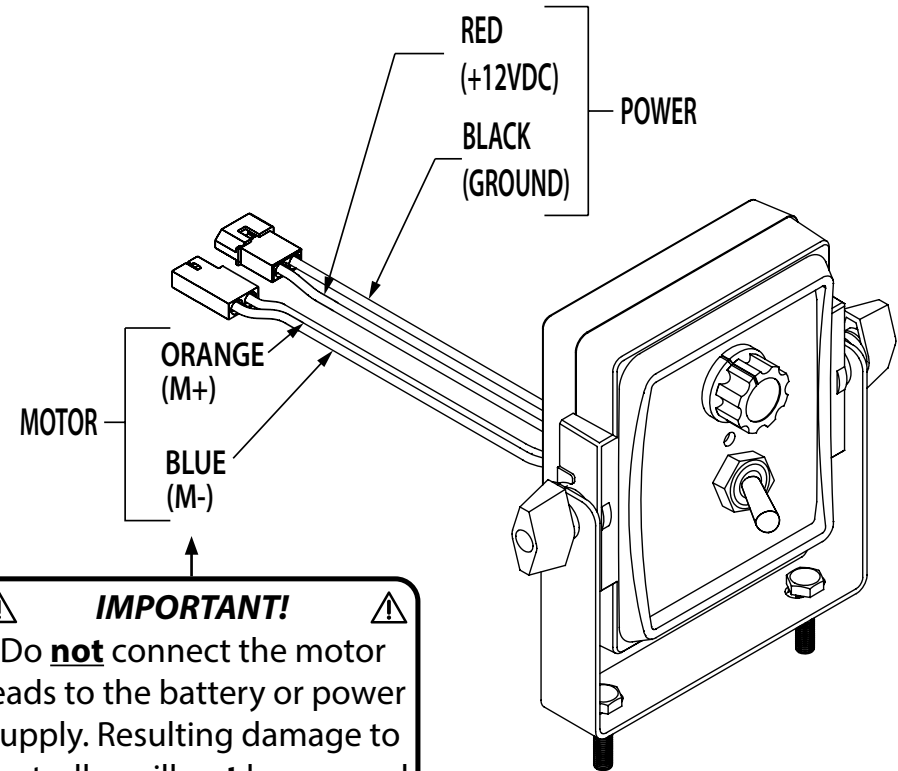
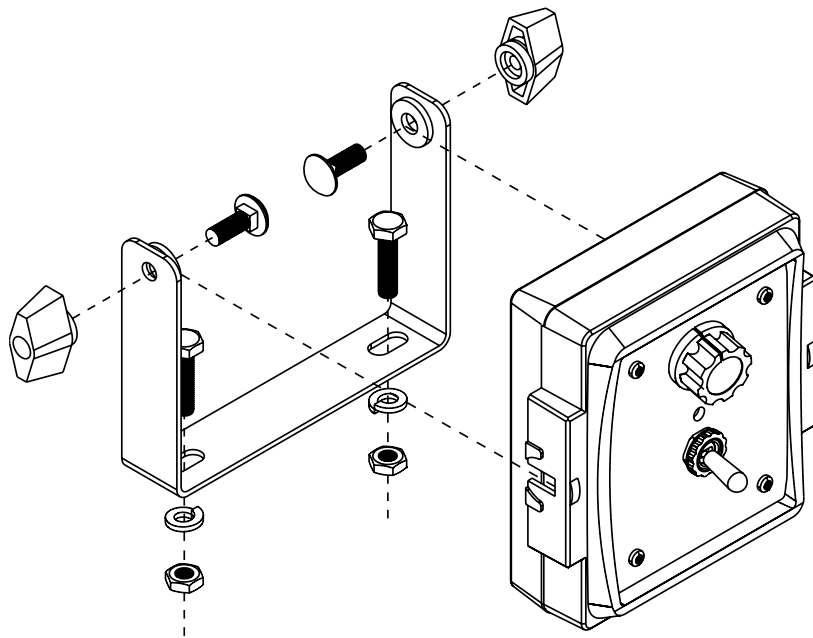
www.micro-trak.com 800.328.9613

Manual Controller - 10 Amp

LED STATUS INDICATOR CODES

Light on steady		Unit is turned on and operating normally
1 Flash/pause		Open circuit detected. Check motor connections for open.
2 Flashes/pause		Output short circuit detected. Check motor wiring.
3 Flashes/pause		Over-current condition. Check total load.

NOTE: Cycle power with the ON/OFF switch to clear a fault code



IMPORTANT!
Do **not** connect the motor leads to the battery or power supply. Resulting damage to controller will **not** be covered under warranty.