



MICRO-TRAK
SYSTEMS, INC.

www.micro-trak.com 800.328.9613

Manual Controller - 10 Amp

LED STATUS INDICATOR CODES

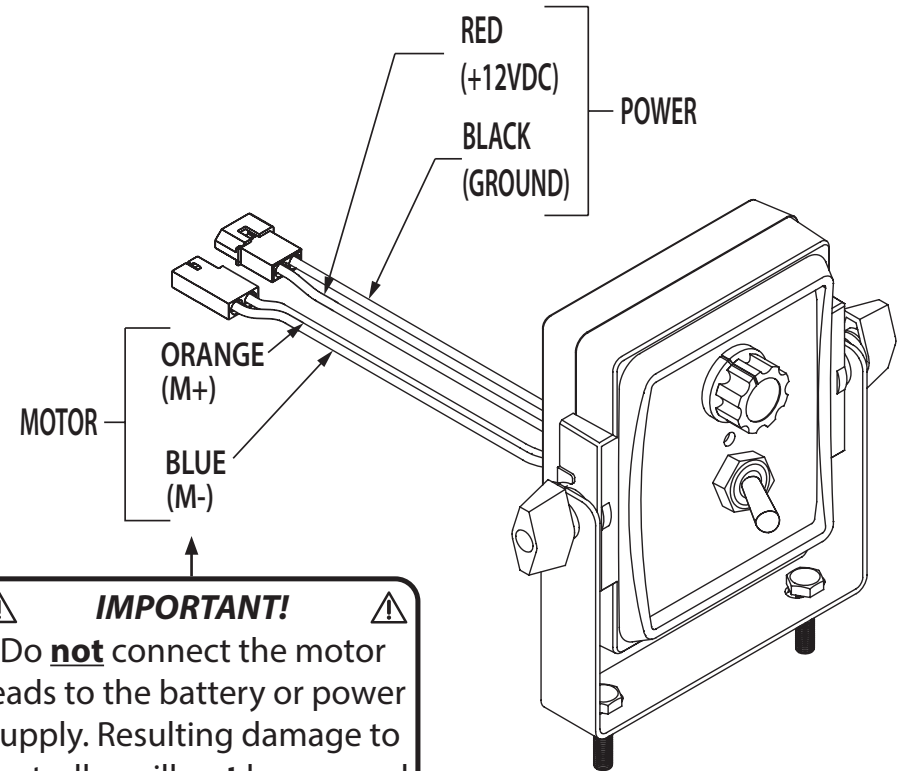
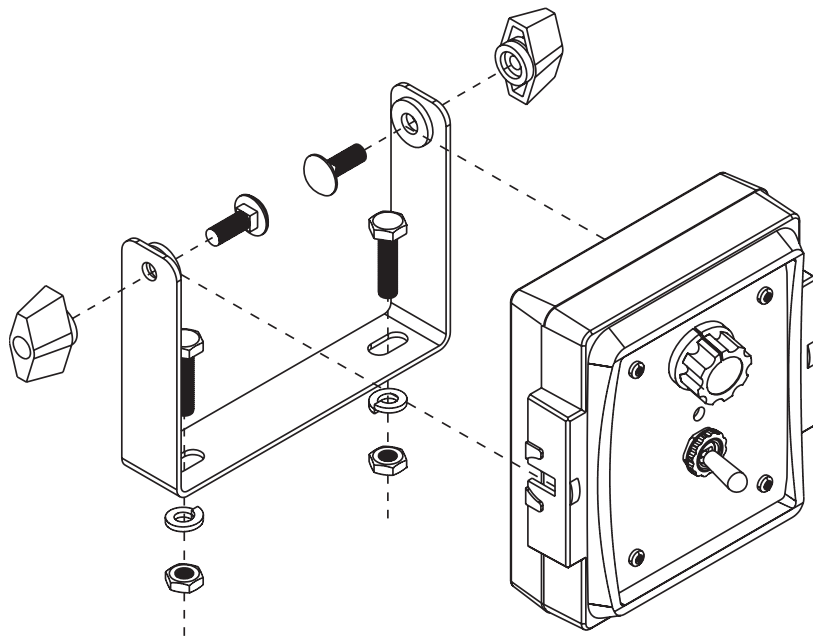
| | | |
|-----------------|--|--|
| Light on steady | | Unit is turned on and operating normally |
| 1 Flash/pause | | Open circuit detected. Check motor connections for open. |
| 2 Flashes/pause | | Output short circuit detected. Check motor wiring. |
| 3 Flashes/pause | | Over-current condition. Check total load. |

NOTE: Cycle power with the ON/OFF switch to clear a fault code

Extended Warranty Option

Register this product **ONLINE** at www.micro-trak.com to extend your warranty for up to three years* at no additional charge.

Registration information is for internal use only.
* Some limitations apply. See warranty statement for details.



IMPORTANT!
Do **not** connect the motor leads to the battery or power supply. Resulting damage to controller will **not** be covered under warranty.