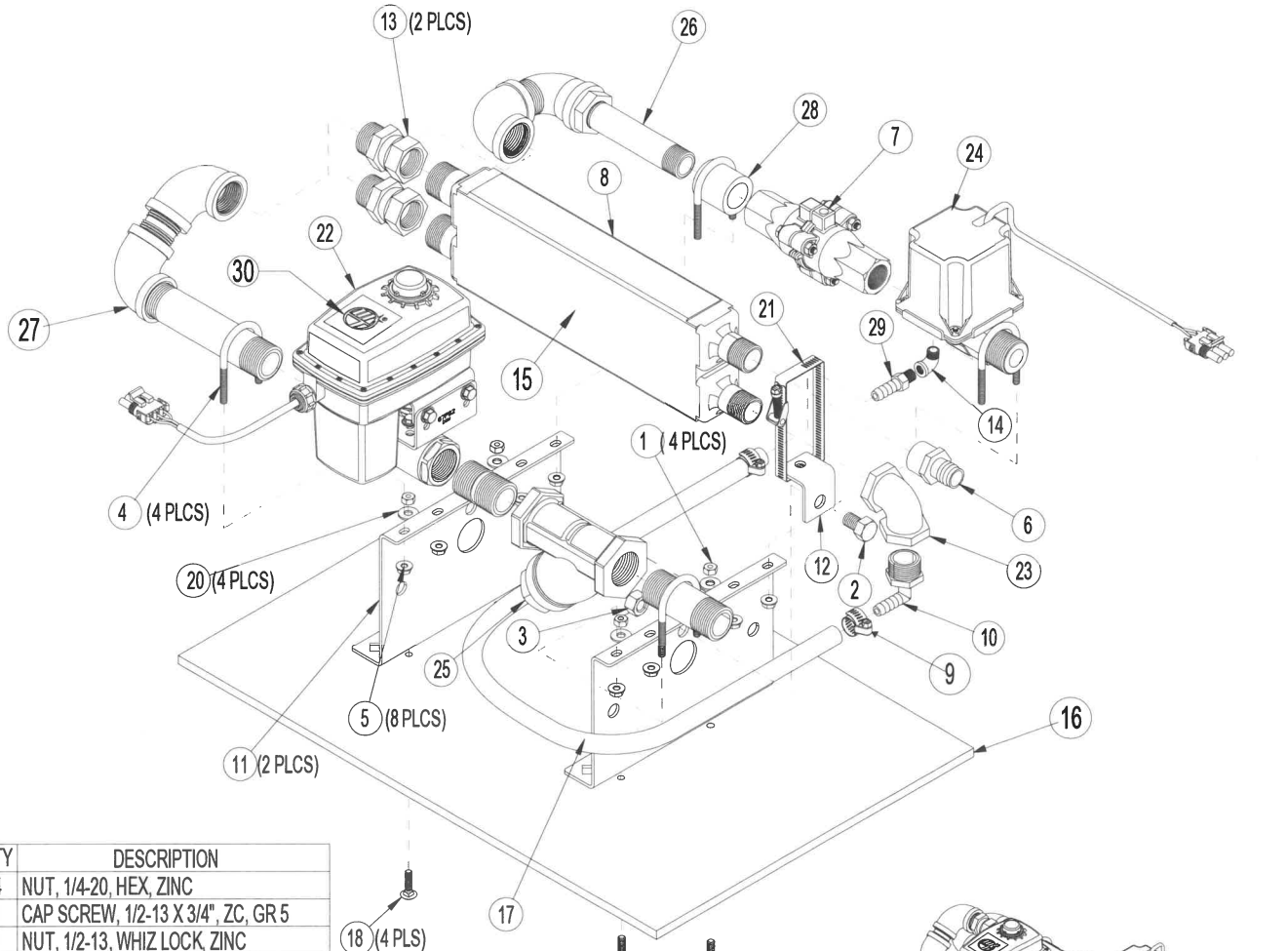


Liquifier Series Parts Guide

Copyright 2020 © Micro-Trak Systems Inc. - All Rights Reserved

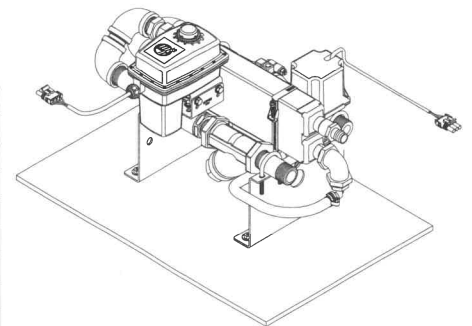
Model:
NH3500 (discontinued)

Note:
PN14958 Servo Valve is no longer available - substitute PN19102 Servo Valve.



ITM NO.	PART NO.	QTY	DESCRIPTION
1	10059	4	NUT, 1/4-20, HEX, ZINC
2	10212	1	CAP SCREW, 1/2-13 X 3/4", ZC, GR 5
3	10214	1	NUT, 1/2-13, WHIZ LOCK, ZINC
4	10215	4	U-BOLT, #07, 1/4" X 1 1/2"
5	10221	8	NUT, 1/4-20, WHIZ LOCK, ZINC
6	18306	1	FTTG., 3/4" FPT X 3/4" HOSEBARB
7	10899	1	FM750N FLOWMETER/NH3 ONLY
8	11005	1	HEAT EXCHANGER
9	12179	2	HOSE CLAMP #4 ALL STAINLESS
10	18221	1	ELBOW, 3/4" MPT X 3/8" HB NYLON
11	11010	2	SIDE BRACKET, NH3 MOUNT
12	11012	1	BRACKET, MOUNTING "L"
13	11013	2	CONN., 1" FEMALE TO 1" MALE, SWIVEL
14	13660	1	ELBOW, 1/8" STREET, 90 D. #40 BLACK
15	11029	1	DECAL, HEAT EXCHANGER, NH3 500
16	11055	1	INSERT, 1/2" CDX PLYWOOD
17	20486	1	TUBING, 3/8" EVA
18	11104	4	CARRIAGE BOLT, 1/4-20 X 1", ZINC

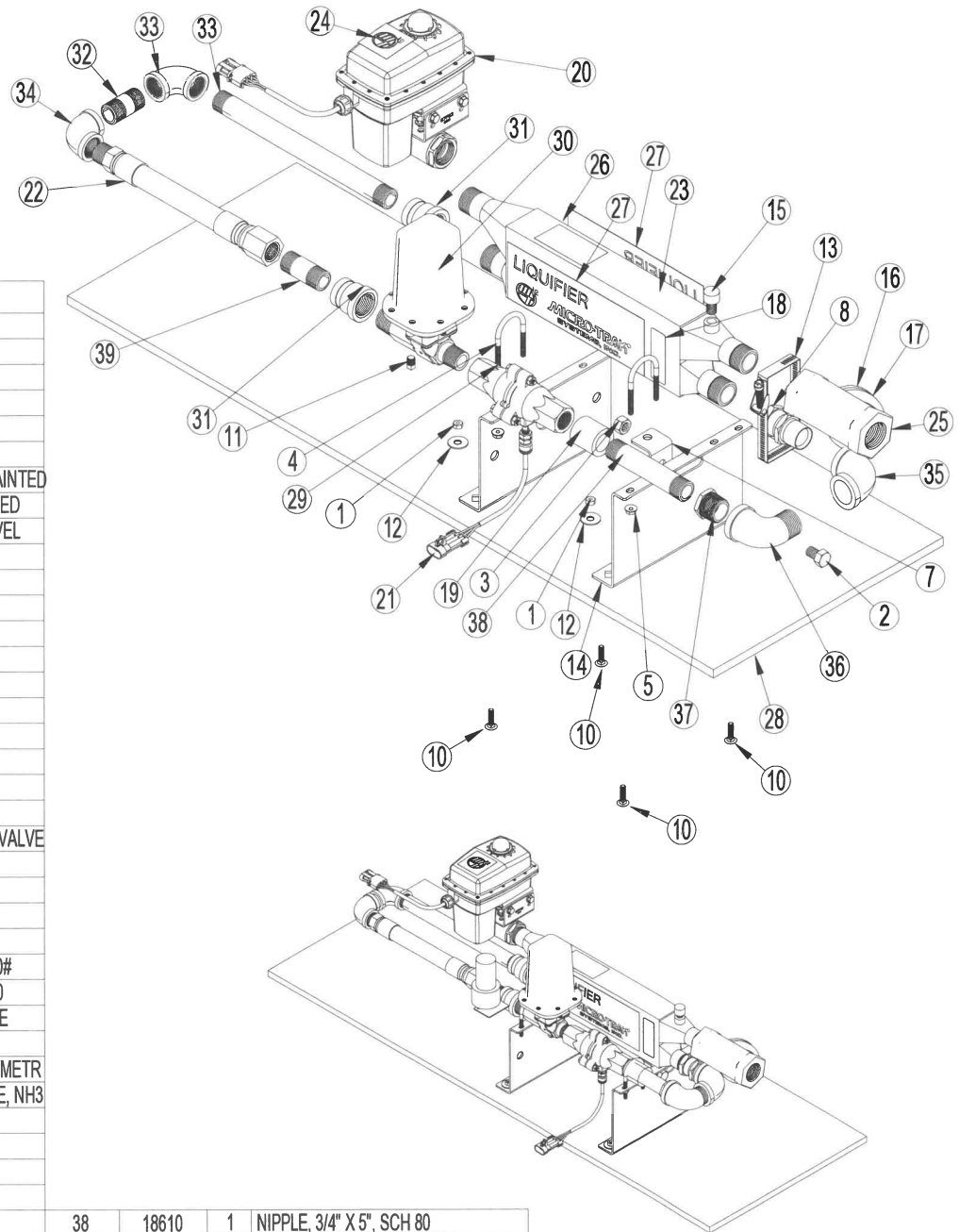
ITM NO.	PART NO.	QTY	DESCRIPTION
19	12887	4	WASHER, 1/4" X 1" O.D. FENDER, ZINC
20	12923	1	CLAMP, QUICK RELEASE
21	17972	1	VALVE, KZ, 1" NH3, W/CONN.
22	14048	1	FITTING, 3/4" FPT, EL, PPRP
23	14958	1	NH3500 SERVO VALVE '05
24	20365	1	STRAINER ASSY, NH3
25	20366	1	NIPPLE ASSY, NH3 FLOWMETER
26	20367	1	NIPPLE ASSY., NH3 SHUTOFF, 1"
27	17775	1	BUSHING, NH3 500, 1 1/8" I.D. X 1 1/2" O.D.
28	14232	1	ORIFICE, A-6132-1, 1/8" MPT X 3/8" HB
29	18216	1	DECAL, M-T 2" X 2" ORB



Liquifier Series Parts Guide

Model:

Liquifier Ultra Low Rate

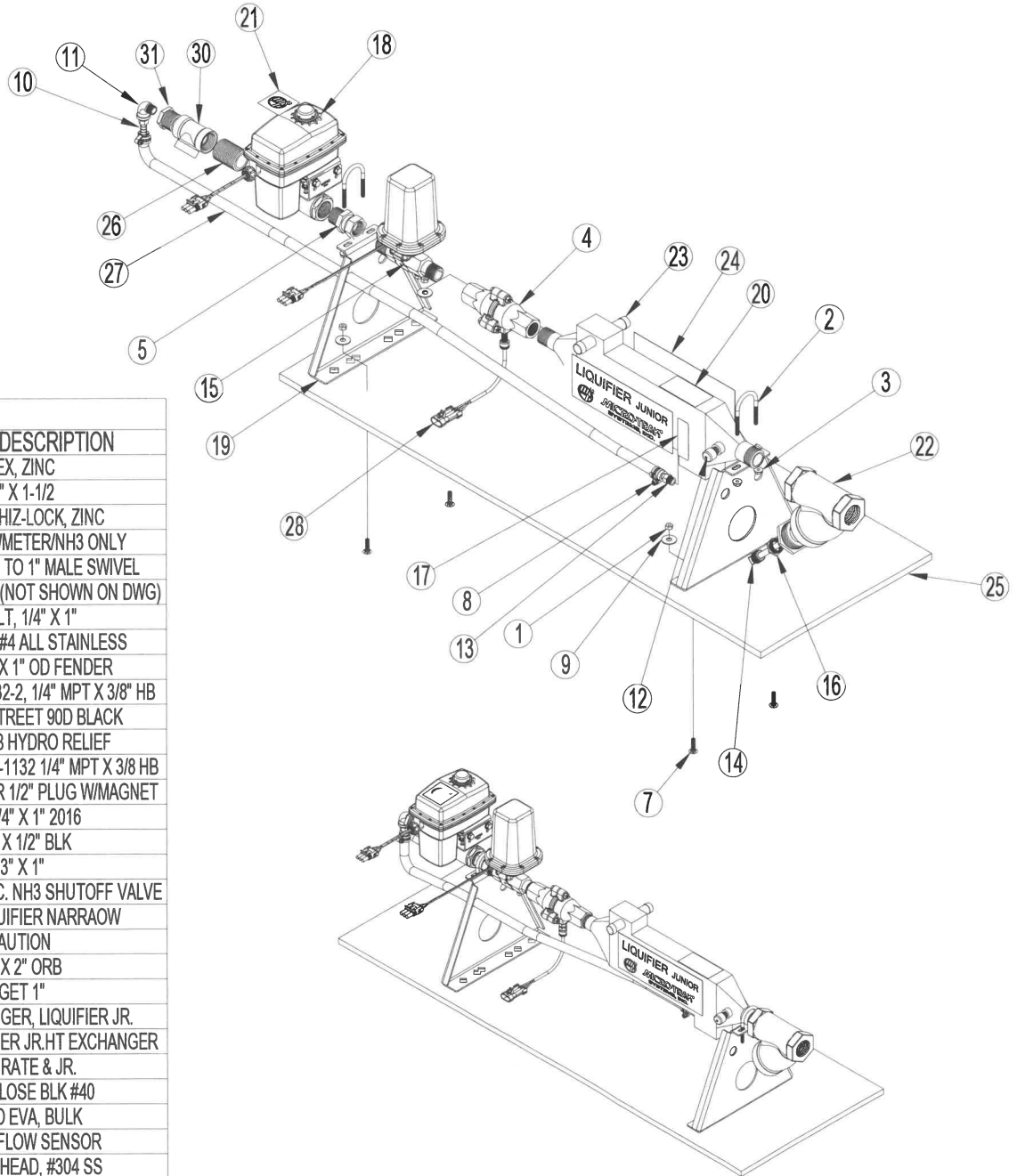


PART LIST

ITEM NO.	PART NO.	QTY	DESCRIPTION
1	10059	4	NUT, 1/4-20, HEX, ZINC
2	10212	1	CAP SCREW, 1/2"-13 X 3/4"
3	10214	4	NUT, 1/2"-13 WHIZ-LOCK
4	10215	2	U-BOLT, #07 1/4 x 1-1/2"
5	10221	4	NUT, 1/4-20 WHIZ-LOCK
6	11010	1	SIDE BRACKET, NH3 MOUNT - PAINTED
7	11012	1	BRACKET, MOUNTING "L", PAINTED
8	11013	1	CONN., 1" FEM. TO 1" MALE SWIVEL
9	11027	.12	TEFLON TAPE
10	11104	4	CARRIAGE BOLT, 1/4-20 X 1"
11	12828	1	PLUG, 1/8" SQ. HEAD
12	12887	4	WASHER, 1/4" X 1" OD FENDER
13	12923	1	CLAMP, QUICK RELEASE
14	11010-B	1	SIDE BRACKET NH3 MOUNT
15	14231	1	VALVE, A-400-B HYDRO RELIEF
16	14851	1	PLUG, 1/2" W/MAGNET
17	17548	1	BUSHING, 3/4" X 1/2" BLK
18	17706	1	LABEL, BLANK 3" X 1"
19	17775	1	BUSHING, MT-NH3500, NYLON
20	17972	1	KZ 1" 12V ELEC. NH3 SHUT-OFF VALVE
21	17392	1	CABLE, 1' H-E FLOW SENSOR
22	18004	1	HOSE ASSY, 3/4" FPT SWVL 12"
23	18215	1	DECAL, NH3 CAUTION
24	18216	1	DECAL, M-T ORB, 2" X 2"
25	18307	1	STRAINER, PAGET 1" TYPE B 600#
26	18465	1	HEAT EXCHANGER, ULR NH3 500
27	18569	2	LABEL, LIQ. ULTRA LOW RATE, HE
28	18570	1	PLYWOOD, LO-RATE & JR.
29	19797	1	FM750 SS NH3 LOW FLOW FLOWMETR
30	19101	1	SERVO VALVE, ULTRA LOW RATE, NH3
31	18603	2	COUPLER, 1" X 3/4" SCH 80
32	18604	1	NIPPLE, 3/4" X 2" SCH 80
33	18605	1	NIPPLE, 3/4" X 12" SCH 80
34	18606	2	ELBOW, 90°, 3/4" FPT, SCH 80
35	18607	1	ELBOW, 90°, 1" FPT, SCH 80
36	18608	1	STREET EL, 90°, 1", SCH 80
37	18609	1	BUSHING, 1" X 3/4", CLS 3000
38	18610	1	NIPPLE, 3/4" X 5", SCH 80
39	18611	1	NIPPLE, 3/4" X 2.5", SCH 80

Liquifier Series Parts Guide

Model: Liquifier JR



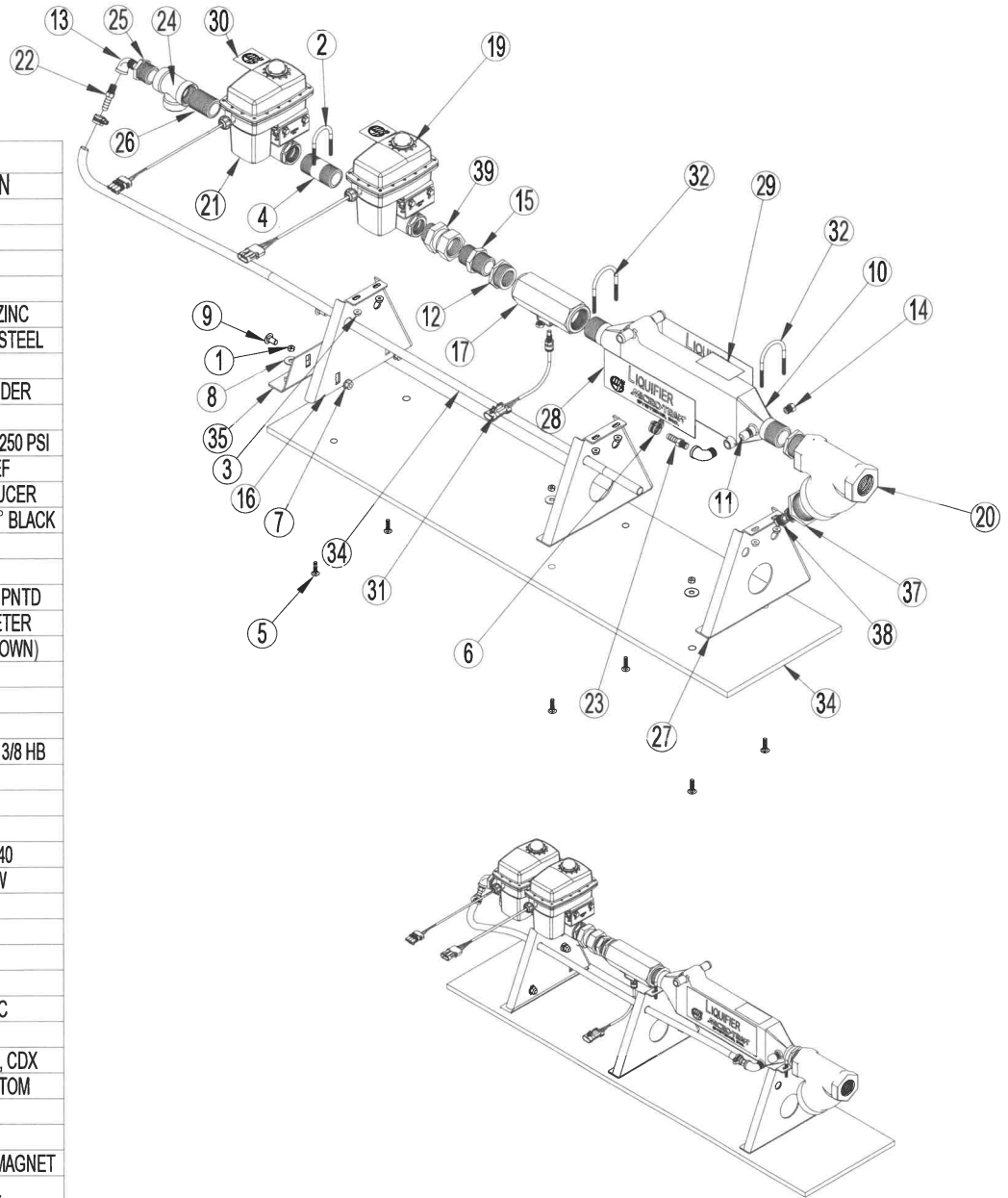
PART LIST

ITEM NO.	PART NO.	QTY	DESCRIPTION
1	10059	4	NUT, 1/4-20, HEX, ZINC
2	10215	2	U-BOLT, #7 1/4" X 1-1/2
3	10221	4	NUT, 1/4-20, WHIZ-LOCK, ZINC
4	10899	1	FM750 N FLOWMETER/NH3 ONLY
5	11013	1	CONN. 1" FEM. TO 1" MALE SWIVEL
6	11027	AR	TEFLON TAPE (NOT SHOWN ON DWG)
7	11104	4	CARRIAGE BOLT, 1/4" X 1"
8	12179	2	HOSE CLAMP, #4 ALL STAINLESS
9	12887	4	WASHER, 1/4" X 1" OD FENDER
10	18189	1	ORIFICE, A-1132-2, 1/4" MPT X 3/8" HB
11	14301	1	ELBOW, 1/4" STREET 90D BLACK
12	14231	1	VALVE, A-400-B HYDRO RELIEF
13	14232	1	HOSE BARB, A-1132 1/4" MPT X 3/8 HB
14	14851	1	NH3 STRAINER 1/2" PLUG W/MAGNET
15	19102 A	1	NH3 SERVO, 3/4" X 1" 2016
16	17548	1	BUSHING, 3/4" X 1/2" BLK
17	17706	1	LABEL, BLANK 3" X 1"
18	17972	1	KZ 1" 12V ELEC. NH3 SHUTOFF VALVE
19	18213	2	BRACKET, LIQUIFIER NARRAOW
20	18215	1	DECAL, NH3 CAUTION
21	18216	1	DECAL, M-T 2" X 2" ORB
22	18307	1	STRAINER, PAGET 1"
23	18555	1	HEAT EXCHANGER, LIQUIFIER JR.
24	18568	2	LABEL, LIQUIFIER JR.HT EXCHANGER
25	18570	1	PLYWOOD, LO RATE & JR.
26	18198	1	NIPPLE, 1" X CLOSE BLK #40
27	20486	2	TUBING, 3/8" ID EVA, BULK
28	17392	1	CABLE, 1' H-E FLOW SENSOR
29	12828	1	PLUG, 1/8" SQ HEAD, #304 SS
30	18194	1	TEE, 1"X1"X1" BLACK #40
31	18195	1	BUSHING, 1"X1/4" RED. BLK #40

Liquifier Series Parts Guide

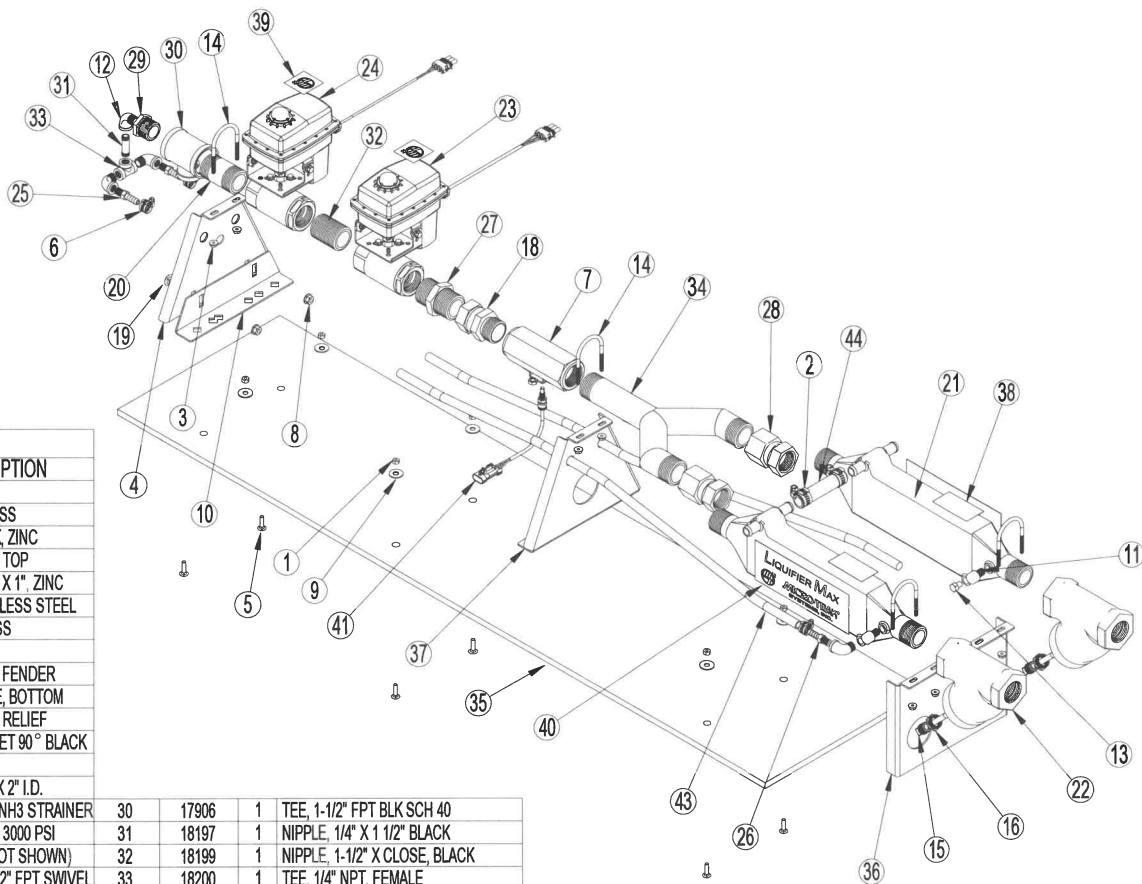
Model:
Liquifier

PART LIST			
ITEM NO.	PART NO.	QTY	DESCRIPTION
1	10059	6	NUT, 1/4-20, HEX, ZINC
2	10215	1	U-BOLT, #7 1/4" X 1-1/2
3	10221	6	NUT, 1/4-20, WHIZ-LOCK, ZINC
4	11021	1	NIPPLE, 1" X 3" #80 BLACK
5	11104	6	CARRIAGE BOLT, 1/4-20 X 1", ZINC
6	12179	2	HOSE CLAMP, #4 STAINLESS STEEL
7	12839	2	NUT, 3/8-16 WHIZ-LOCK, ZINC
8	12887	6	WASHER, 1/4-20 X 1" O.D., FENDER
9	12837	2	CARRIAGE BOLT, 3/8" X 3/4"
10	18183	1	HEAT EXCHANGER, HE5.0 ST/250 PSI
11	14231	1	VALVE, A-400-B, HYDRO RELIEF
12	18618	1	BUSHING, 1-1/2" X 1-1/4" REDUCER
13	14301	2	ELBOW, 1/4" NPT, STREET 90° BLACK
14	14302	1	PLUG, 1/4" NPT BLACK
15	18303	1	NIPPLE, 1-1/4" STEEL
16	14303	1	BRACKET, TOP ADJUSTABLE, PNTD
17	19799	1	FM1500-E SS LF NH3 FLOWMETER
18	17706	2	LABEL, BLANK 3" X 1"(NOT SHOWN)
19	17972	1	VALVE, SHUTOFF, KZ 1"
20	18184	1	STRAINER, 1-1/2"
21	18187	1	VALVE, REGULATING, KZ, 1"
22	14232	1	ORIFICE, A-1132-2, 1/4" NPT X 3/8 HB
23	18189	1	FITTING, 1/4" NPT X 3/8" HB
24	18194	1	TEE, 1" FPT BLACK #40
25	18195	1	BUSHING, 1" X 1/4" REDUCER
26	18198	1	NIPPLE, 1" X CLOSE, BLACK #40
27	18213	2	BRACKET, LIQUIFIER NARROW
28	18214	2	DECAL, LIQUIFIER
29	18215	1	DECAL, NH3 CAUTION
30	18216	2	DECAL, M-T 2" X 2" ORB
31	17392	1	CABLE, 1' H-E FLOW SENSOR
32	14304	2	U-BOLT, 1/4-20 X 1.75 X 2.75 ZC
33	20486	3.75 FT	TUBING, 3/8" ID EVA
34	18237	1	PLYWOOD, 1/2" X 15 7/8" X 58", CDX
35	18305	1	BRACKET, ADJUSTABLE, BOTTOM
36	11027	.12	TEFLON TAPE (NOT SHOWN)
37	18204	1	BUSHING, 1" X 1/2" REDUCER
38	14851	1	NH3 STRAINER 1/2" PLUG W/MAGNET
39	12824	1	FTTG, 1" MPT X 1-1/4" SWIVEL



Liquifier Series Parts Guide

Model: Liquifier Max



PART LIST

ITEM NO.	PART NO.	QTY	DESCRIPTION
1	10059	6	NUT, 1/4-20, HEX, ZINC
2	10191	2	HOSE CLAMP, #8 X 1/2" SS
3	10221	8	NUT, 1/4-20, WHIZ-LOCK, ZINC
4	18303	1	BRACKET, ADJUSTABLE, TOP
5	11104	6	CARRIAGE BOLT, 1/4-20 X 1" ZINC
6	12179	4	HOSE CLAMP, #4 STAINLESS STEEL
7	19798	1	FLOWMETER, FM1500, SS
8	12839	2	NUT, 3/8-16 WHIZ-LOCK
9	12887	6	WASHER, 1/4" X 1" O.D., FENDER
10	18305	1	BRACKET, ADJUSTABLE, BOTTOM
11	14231	2	VALVE, A-400-B, HYDRO RELIEF
12	14301	5	ELBOW, 1/4" NPT, STREET 90° BLACK
13	14302	2	PLUG, 1/4" NPT BLACK
14	14304	4	U-BOLT, 1/4-20 X 1-3/8" X 2" I.D.
15	14851	2	PLUG, 1/2" W/MAGNET, NH3 STRAINER
16	18204	2	BUSHING, 1" X 1/2" BLK, 3000 PSI
17	17706	2	LABEL, BLANK 3" X 1" (NOT SHOWN)
18	17903	1	FTTG., 1-1/2" MPT X 1-1/2" FPT SWIVEL
19	12837	2	CARR. BOLT, 3/8-16 X 3/4"
20	17955	1	NIPPLE, 1-1/2" X 3" BLACK
21	18183	2	HEAT EXCHANGER, 1-1/2" PORT
22	18184	2	STRAINER, 1-1/2"
23	18186	1	VALVE, 1.5" SHUTOFF, KZ
24	18185	1	VALVE, 1-1/2" REGULATOR, KZ
25	14232	2	ORIFICE, A-1132-1, 1/4" MPT X 3/8 HB
26	18189	2	HOSE BARB, 1/4" MPT X 3/8"
27	18190	1	NIPPLE, 1-1/2"-FF-S
28	18193	2	SWIVEL, 1-1/2" FEMALE
29	19792	1	BUSHING, 1-1/2" MPT X 1/4" FPT
30	17906	1	TEE, 1-1/2" FPT BLK SCH 40
31	18197	1	NIPPLE, 1/4" X 1 1/2" BLACK
32	18199	1	NIPPLE, 1-1/2" X CLOSE, BLACK
33	18200	1	TEE, 1/4" NPT, FEMALE
34	18201	1	PIPE Y-ADAPT., 1-1/2" MPT
35	18206	1	PLYWOOD, 1/2" X 16" X 64", CDX
36	18212	1	BRACKET, LIQUIFIER MAX, WIDE
37	18213	1	BRACKET, LIQUIFIER MAX, NARROW
38	18215	2	DECAL, NH3 CAUTION
39	18216	2	DECAL, M-T 2" X 2" ORB
40	18217	2	DECAL, LIQUIFIER MAX
41	17392	1	CABLE, 1' H-E FLOW SENSOR
42	11027	.12	TEFLON TAPE (NOT SHOWN)
43	20486	9.3	TUBING, 3/8" EVA, BULK
44	20153	.34	TUBING, 3/4" EVA, BULK