



ELECTRIC MOTOR DRIVER



PRECISION 12 VOLT MOTOR CONTROL

If you are using low-rate starter fertilizers, herbicides, insecticides, fungicides, or fumigants, precise rate control is **essential**.

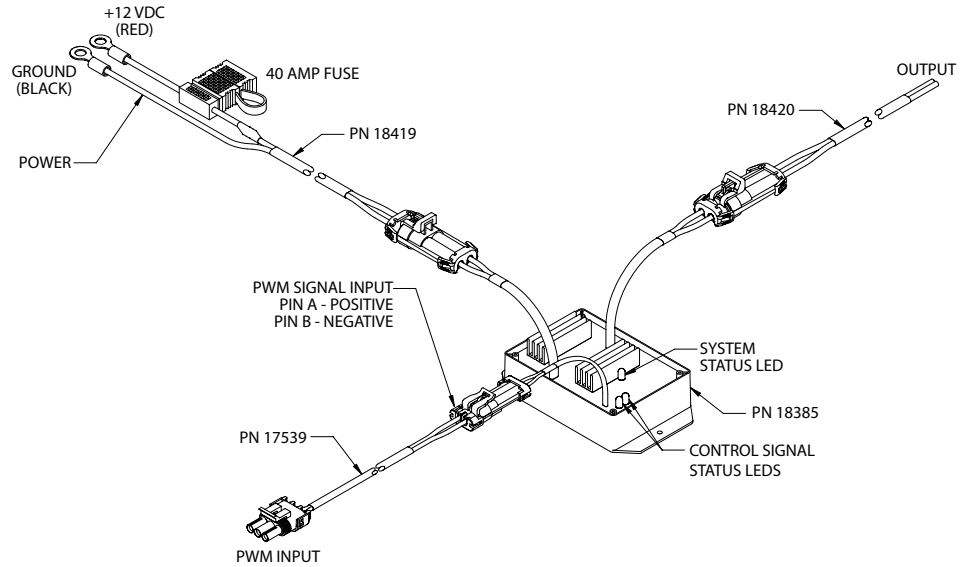
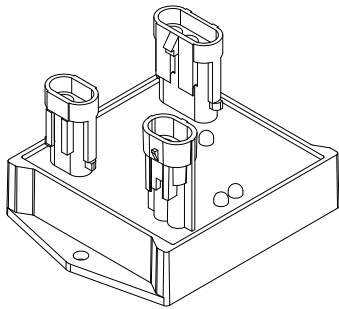
Accurate applications of crop inputs ensure a healthy, high-yielding plant. The Electric Motor Driver from Micro-Trak will help make this happen.

- Enables Automatic Rate Controllers to control flow rate by regulating the speed of a 12VDC pump
- Ideal on low-rate applications like fertilizer on drills and planters
- Can be integrated into most major brand control systems
- Controls most 12VDC pumps up to a max. of 40 amps



ELECTRIC MOTOR DRIVER

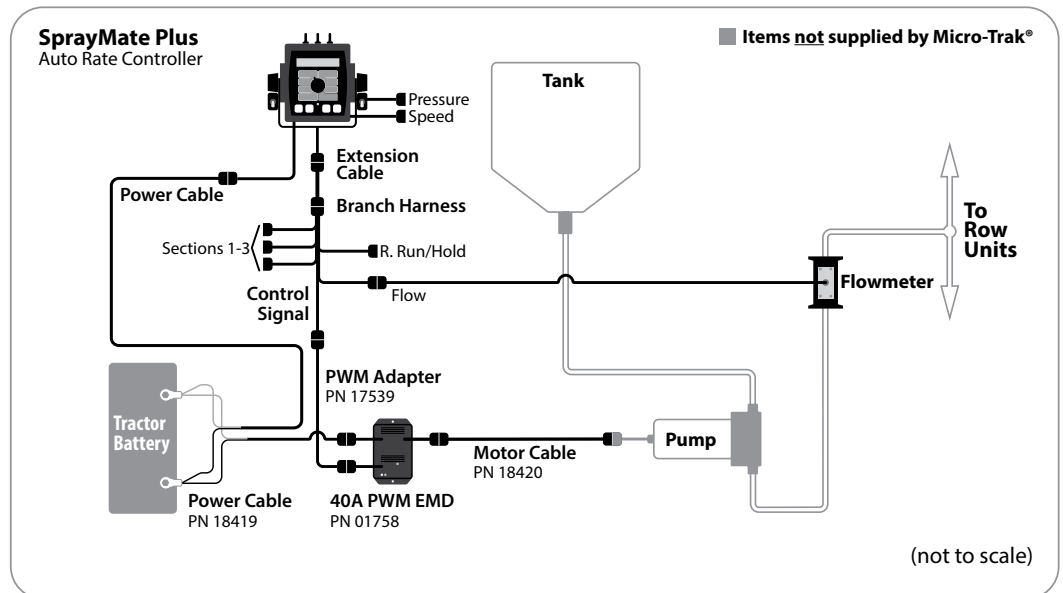
MODULE DIAGRAM - 40A PWM



AVAILABLE KITS

- 18108 10-Amp PWM
- 01904 10-Amp PWM w/Enable*
- 18008 10-Amp Standard
- 01758 40-Amp PWM
- 01905 40-Amp PWM w/Enable*
- 01757 40-Amp Standard

EXAMPLE SYSTEM



* Enable connection is an instant-on feature - useful for running multiple EMDs simultaneously to extend range.