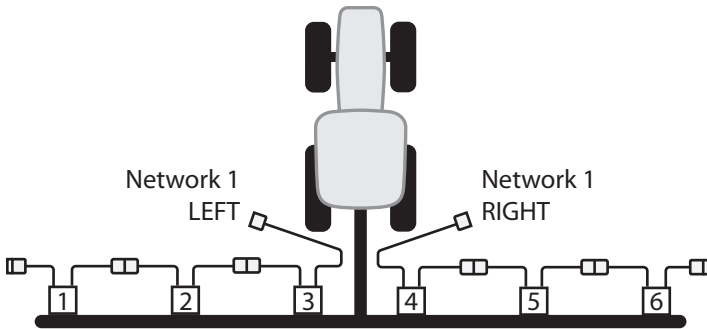


SafeGuard™ ISOmod:

Numbering schemes for sensor connections

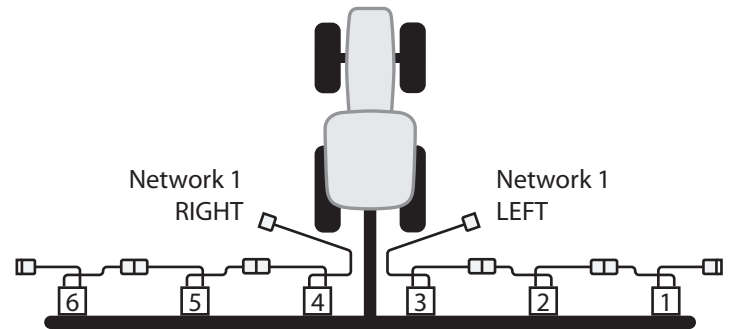


1.



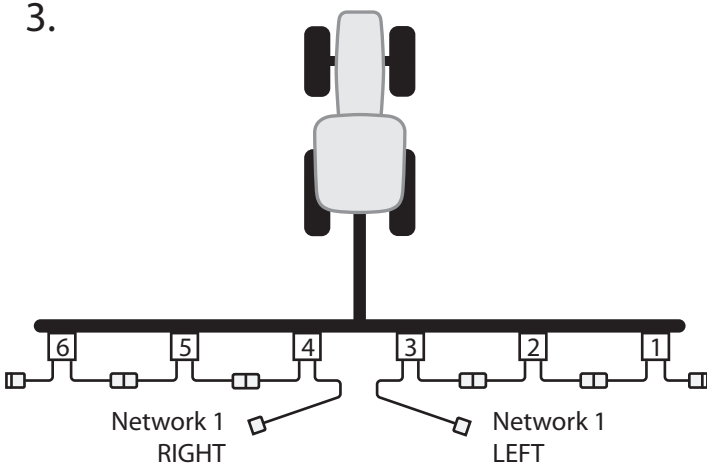
1. Sensor leads face forward.
2. Left side of implement is connected to "Left" connection on ISOmod harness (and corresponding on right side).
3. Sensors are daisy chained but leads do not cross.
4. Sensors numbered from LEFT to RIGHT - low to high.

2.



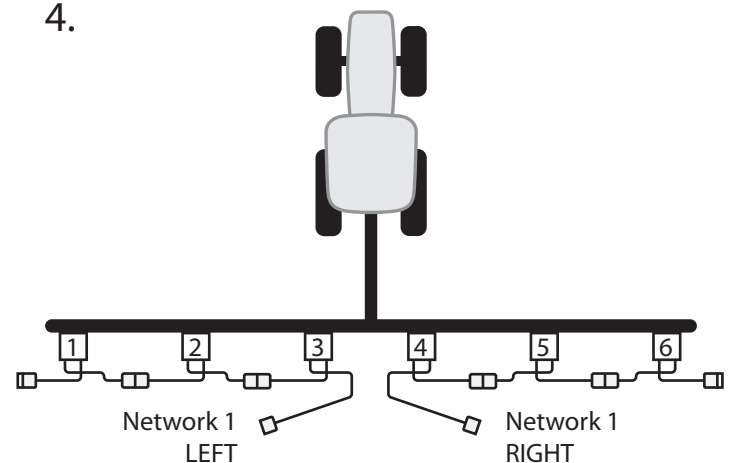
1. Sensor leads face forward.
2. Left side of implement is connected to "Right" connection on ISOmod harness (and corresponding on right side).
3. Sensors are daisy chained and leads do cross.
4. Sensors numbered from RIGHT to LEFT - low to high.

3.



1. Sensor leads face rear.
2. Left side of implement is connected to "Right" connection on ISOmod harness (and corresponding on right side).
3. Sensors are daisy chained but leads do not cross.
4. Sensors numbered from RIGHT to LEFT - low to high.

4.



1. Sensor leads face rear.
2. Left side of implement is connected to "Left" connection on ISOmod harness (and corresponding on right side).
3. Sensors are daisy chained and leads do cross.
4. Sensors numbered from LEFT to RIGHT- low to high.



MICRO-TRAK
SYSTEMS, INC.

800.328.9613
www.micro-trak.com

P.O. Box 99
111 East LeRay Avenue
Eagle Lake, MN 56024-0099
© 2015 • Micro-Trak® Systems, Inc.

Note:

From the ISOmod harness, Network Left connections have "Shroud" connectors and Network Right connections have "Tower" connectors.