

SafeGuard ISOmod cables - 5/13/15

P/N 18921 - IBIC breakaway Cable

Connectors - Powell/Amphenol IBIC, M/P 150 4-pin, M/P 150 6-pin



P/N 18894 - M/P 150 (Generic) Tap Cable

Primary Connectors - M/P 150 6-pin

Tap - M/P 150 4-pin



P/N 18895 - Ampseal 16 (John Deere) Tap Cable

Primary Connectors - Ampseal 16 12-pin

Tap - M/P 150 4-pin



P/N 18896 - Delphi MP630 (Great Plains/Dickey John) Tap Cable

Primary Connectors - Delphi MP630 4-pin, M/P 150 6-pin

Tap - M/P 150 4-pin



P/N 18897 - Delphi GT280 (Case) Tap Cable

Primary Connectors - Delphi GT280 8-pin

Tap - M/P 150 4-pin



P/N 18945 - Deutsch DT Tap Cable (in-cab) kit w/power cable

Primary Connectors - Deutsch DT 4-pin, M/P 150 2-pin

Tap - M/P 150 4-pin Power Cable - M/P 150 2-pin to ring terminals



P/N 18944 - Deutsch DTM Tap Cable (in-cab) kit w/power cable

Primary Connectors - Deutsch DTM 4-pin, M/P 150 2-pin

Tap - M/P 150 4-pin Power Cable - M/P 150 2-pin to ring terminals



P/N 18950 - Deutsch DT Tap Cable (in-cab) kit w/power adapter

Primary Connectors - Deutsch DT 4-pin, M/P 150 2-pin

Tap - M/P 150 4-pin Power Adapter - M/P 150 2-pin to Deutsch DT 2-pin



P/N 18821 - SafeGuard ISOmod Wiring Harness

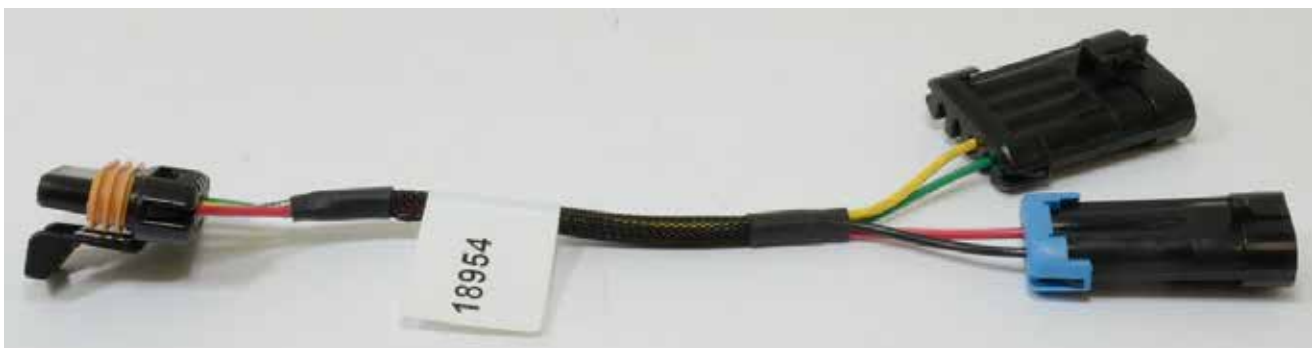
Primary Connector - Cinch SHS 30-pin

Harness connectors - JWPF (X4), M/P 150 3-pin (R/H), M/P 150 4-pin, JST 3-pin (RS 232)



P/N 18954 - ISOmod External Power Adapter

Connectors - M/P 150 4-pin (2), M/P 150 2-pin



P/N 18968 - Deutsch DTM - TBC Terminator

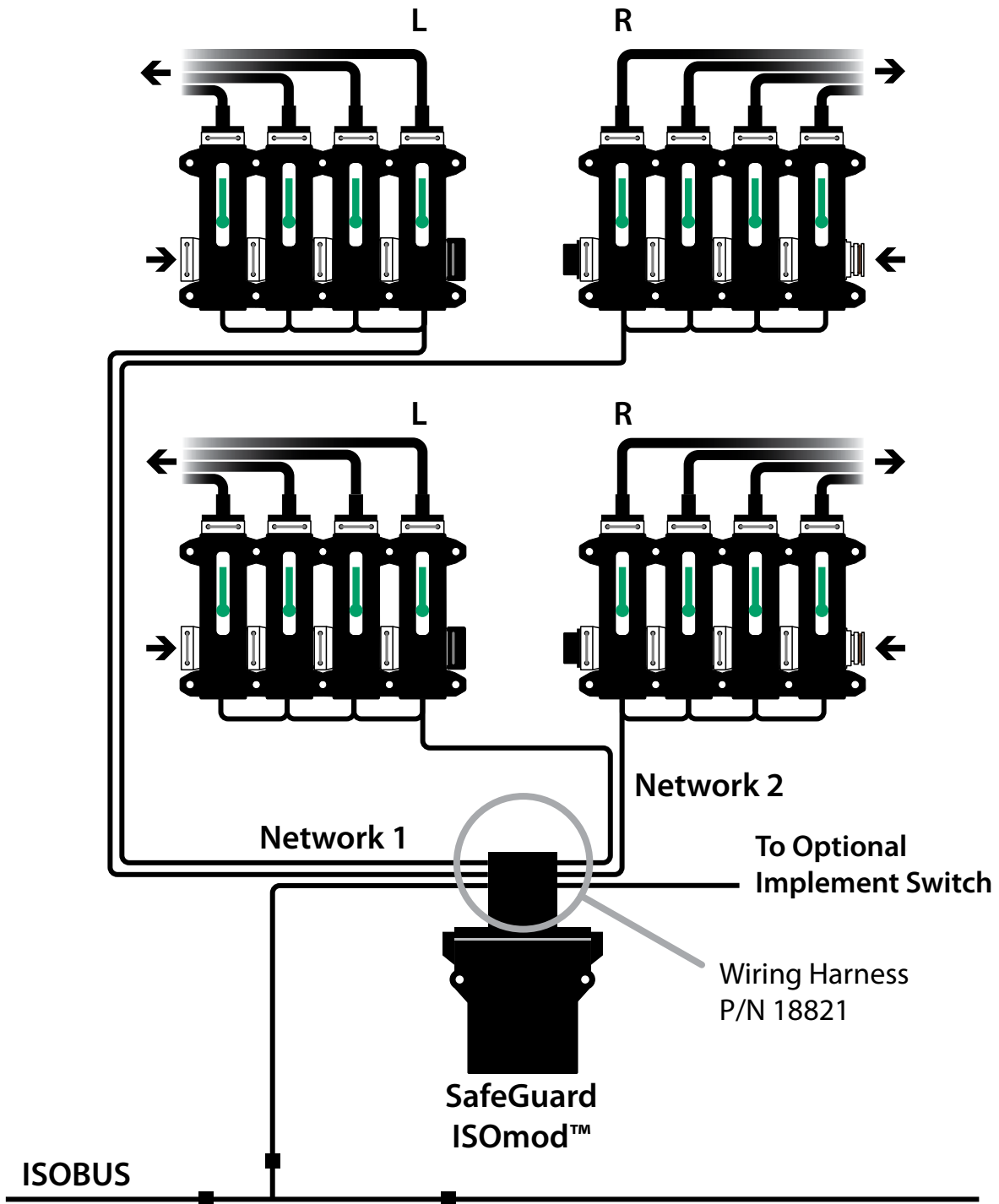
Connectors - Deutsch DTM 4-pin, M/P 150 6-pin w/ Powell TBC (Terminating Bias Circuit)



P/N 18967 - Deutsch DT - TBC Terminator

Connectors - Deutsch DT 4-pin, M/P 150 6-pin w/ Powell TBC (Terminating Bias Circuit)





Micro-Trak Tap Cables

M/P 150 (Generic) - P/N 18894

Ampseal 16 (John Deere™) - P/N 18895

Delphi MP630 (Great Plains/Dickey-John™) - P/N 18896

Delphi GT280 (Case™) - P/N 18897

Deutsch™ DTM (in-cab) Kit - P/N 18944 (includes power cable)

Deutsch™ DT (in-cab) Kit - P/N 18945 (includes power cable)

Deutsch™ DT (in-cab) Kit - P/N 18950 (includes power adapter)

Micro-Trak IBIC Cable (for direct connection)

P/N 18921