



MICRO-TRAK
SYSTEMS, INC.

111 E. LeRay Ave.
P.O. Box 99
Eagle Lake, MN 56024

Phone: (507)257-3600
Toll-Free: (800)328-9613
Fax: (507)257-3001
Email: service@micro-trak.com
Web: www.micro-trak.com

Service Bulletin

Bulletin #: 13-02

Date: 05/10/2013

Distribution: All dealers & distributors

Applies to: SafeGuard™ Liquid Blockage Monitor

Serial Numbers: All

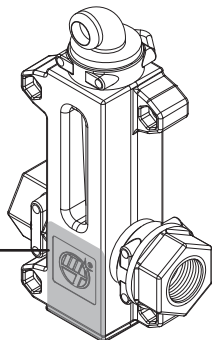
Issue:

False blockage readings from SafeGuard™ sensors when fastened to steel or other ferrous materials. Console shows blockage and the warning alarm sounds but liquid still flows through system and cartridges float at top. Issue limited to a very small number of cases; very unlikely to occur in most standard applications.

Cause:

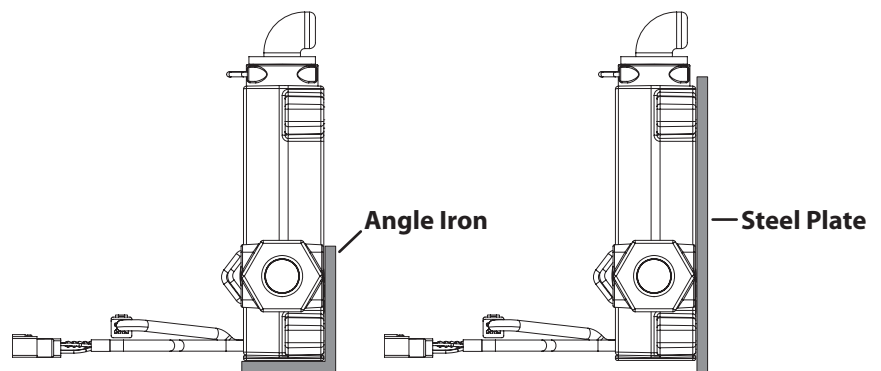
Steel mounting plates or framework can interfere with the magnetic sensor inside the Safeguard™ liquid sensor. The issue is most noticeable when steel directly contacts the back surface of the sensor body. Bolting the SafeGuard™ sensor through the lower mounting holes flush onto angle iron or mounting the sensor flat onto steel plate can cause this magnetic interference.

Back of SafeGuard™ sensor



Critical Sensor Area

Side views of mountings that could cause interference

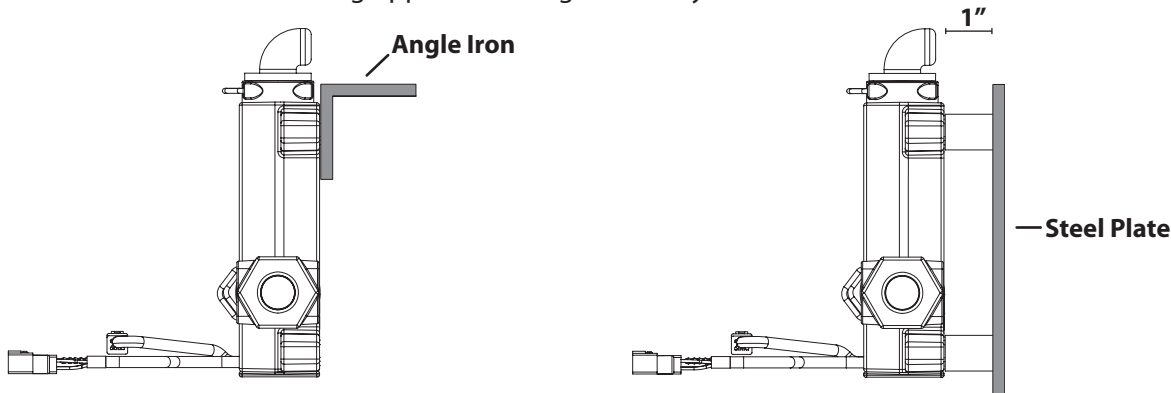


Angle Iron

Steel Plate

Solutions:

- Mount the sensors to a non-ferrous material such as aluminum.
- Use a nylon, PVC, or other non-ferrous spacer to keep sensor body at least 1" away from angle iron or steel plate. 1" nylon spacers — p/n 18653 — are available from Micro-Trak™ dealers and distributors for this purpose.
- Mount the sensors using upper mounting holes only.



Angle Iron

1"

Steel Plate