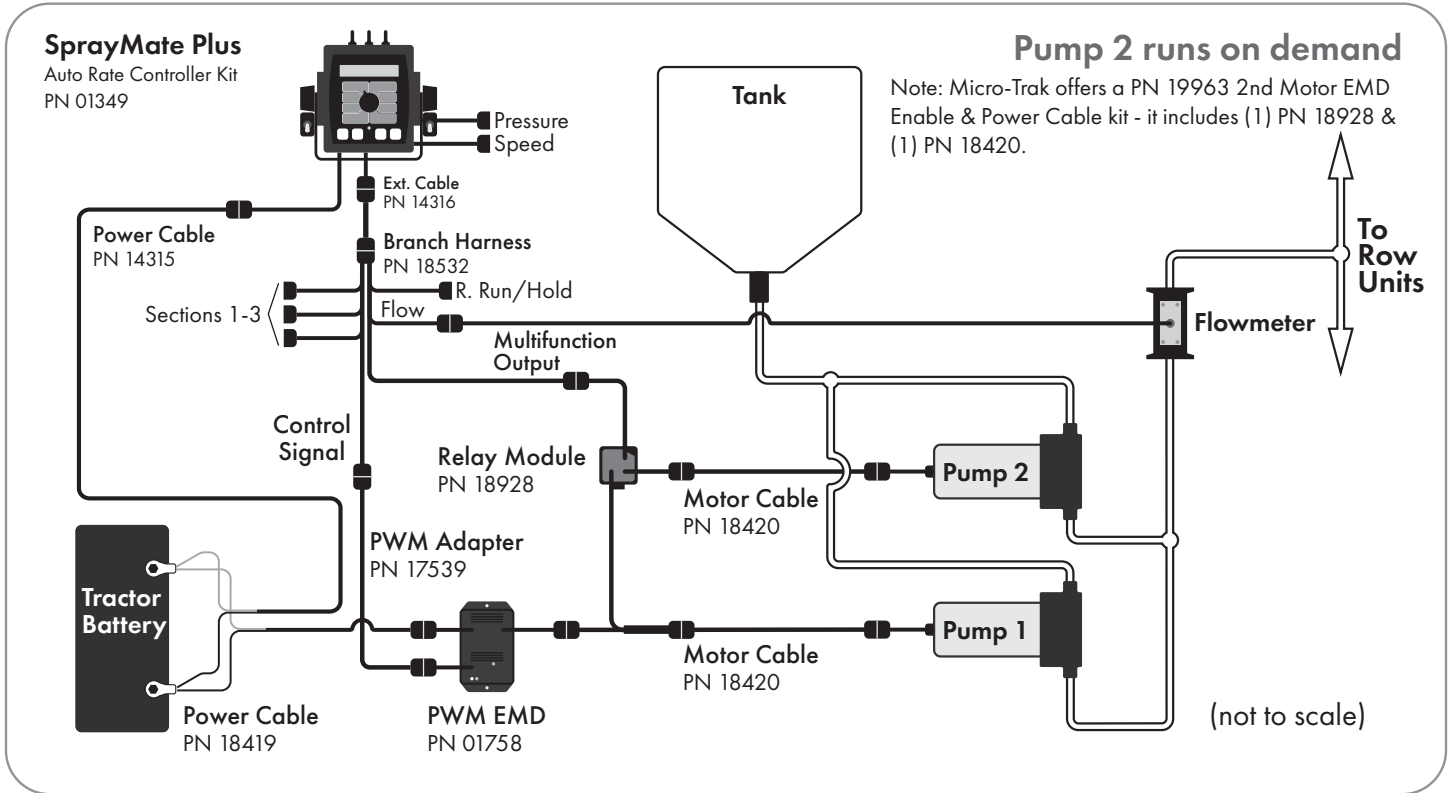


Multifunction Outputs & PWM Electric Motor Drivers (<40A load)

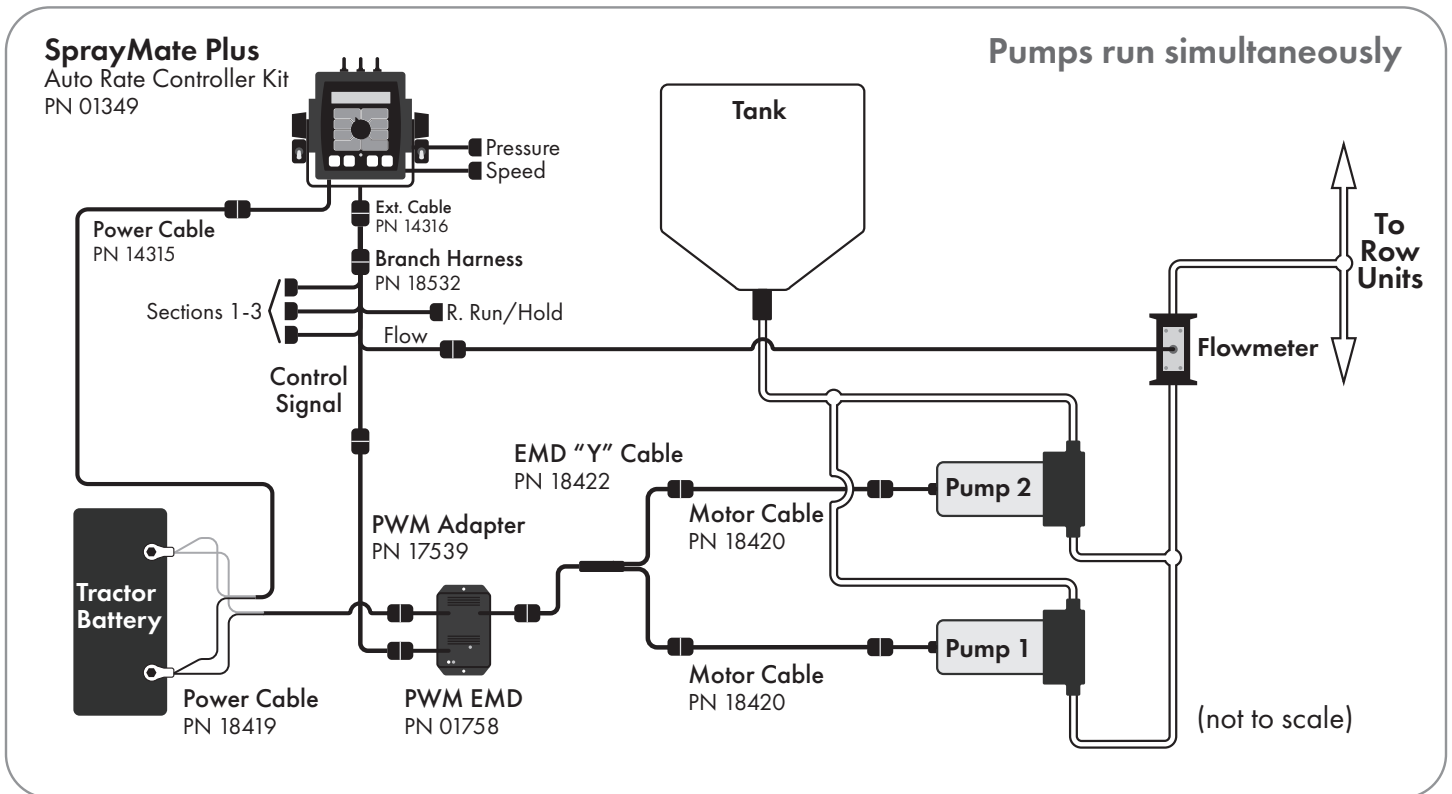


Two Pumps / Multifunction PWM Control



Note: All Micro-Trak's Plus Series controllers feature Multifunction Control.

Two Pumps / Single EMD PWM Control



Instructions on reverse →

Instructions: Two Pumps / Multifunction PWM Control

Connect 2 Electric Pumps to the PN 01758 PWM EMD using PN 19963 2nd Motor EMD Enable & Power Cable kit.

1. Remove PN 18420 Motor Cable from the PN 01758 PWM EMD (will be re-used later).
2. Attach PN 18928 Relay Module. Connect the 3-pin W/P connector to the Multifunction connection on the branch harness of the controller. Connect the 2-pin connection to the EMD Pump Output cable.
3. Attach the PN 18420 Motor Cable (from step 1) to the 2-pin Pump #1 connection on the PN 18928 Relay Module. Then join the PN 18420 to Pump #1.
4. Attach another PN 18420 Motor Cable to the 2-pin Pump #2 connection on the PN 18928 Relay Module. Then join this PN 18420 Motor Cable to Pump #2.
5. Setup the trigger point for Pump #2 control. See Multifunction settings in the Special Calibration settings in the SprayMate Plus manual. Set the Multifunction output to F-FLO (Fixed Flow Trigger). Set the Multifunction Flow Trigger Threshold to the desired value.

Instructions: Two Pumps / Single EMD PWM Control

Connect 2 Electric Pumps to the PN 01758 PWM EMD using PN 18422 EMD "Y" Cable. (An additional PN 18420 Motor Cable is required to complete the system.)

1. Remove PN 18420 Motor Cable from the PN 01758 PWM EMD (will be re-used later).
2. Attach PN 18422 EMD "Y" Cable to Pump Output on PN 01758 PWM EMD.
3. Attach the PN 18420 Motor Cable (from step 1) to PN 18422 EMD "Y" Cable. Then join the PN 18420 Motor Cable to Pump #1.
4. Attach another PN 18420 Motor Cable to the remaining connection on the PN 18422 EMD "Y" Cable. Then join this PN 18420 Motor Cable to Pump #2.