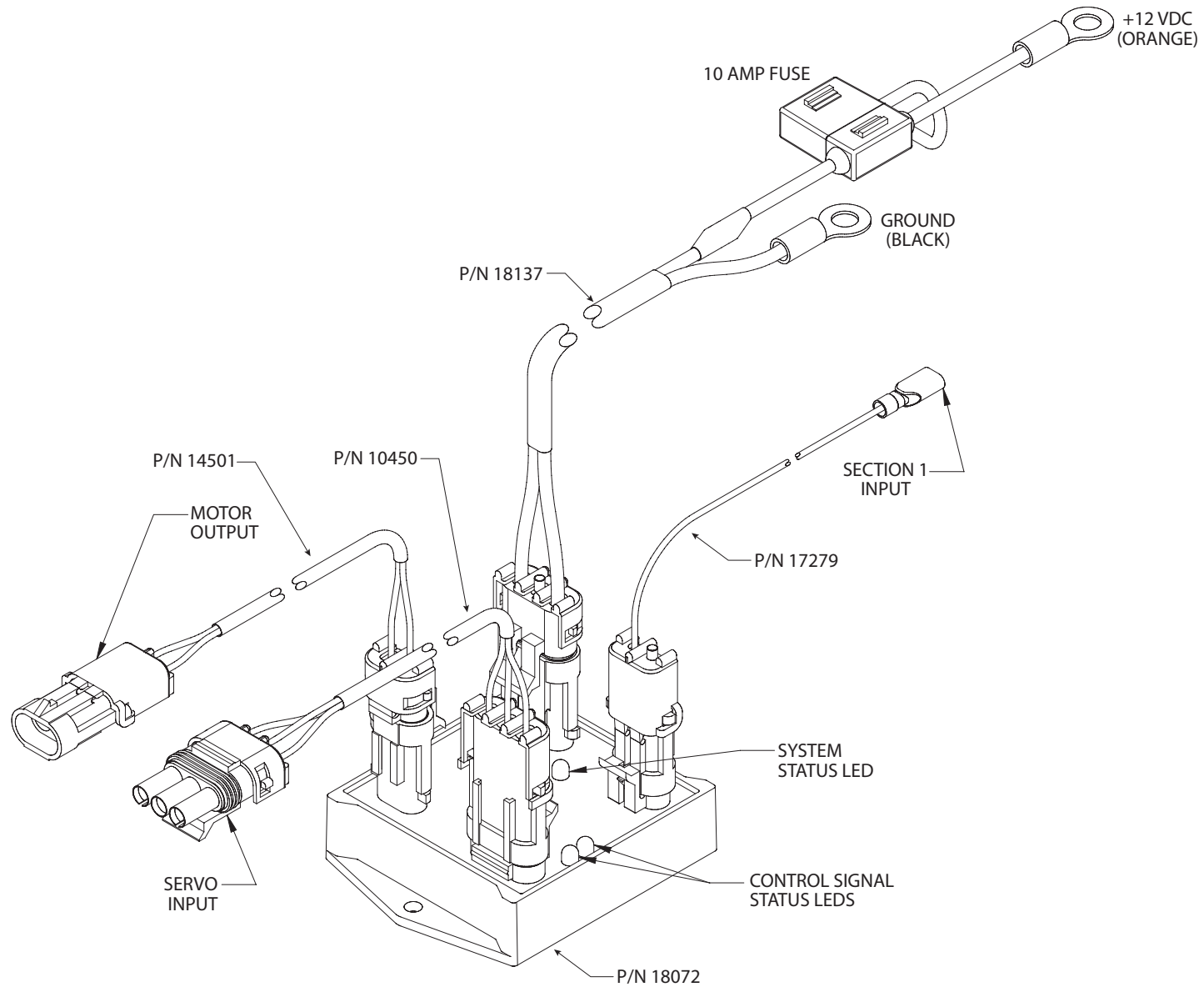


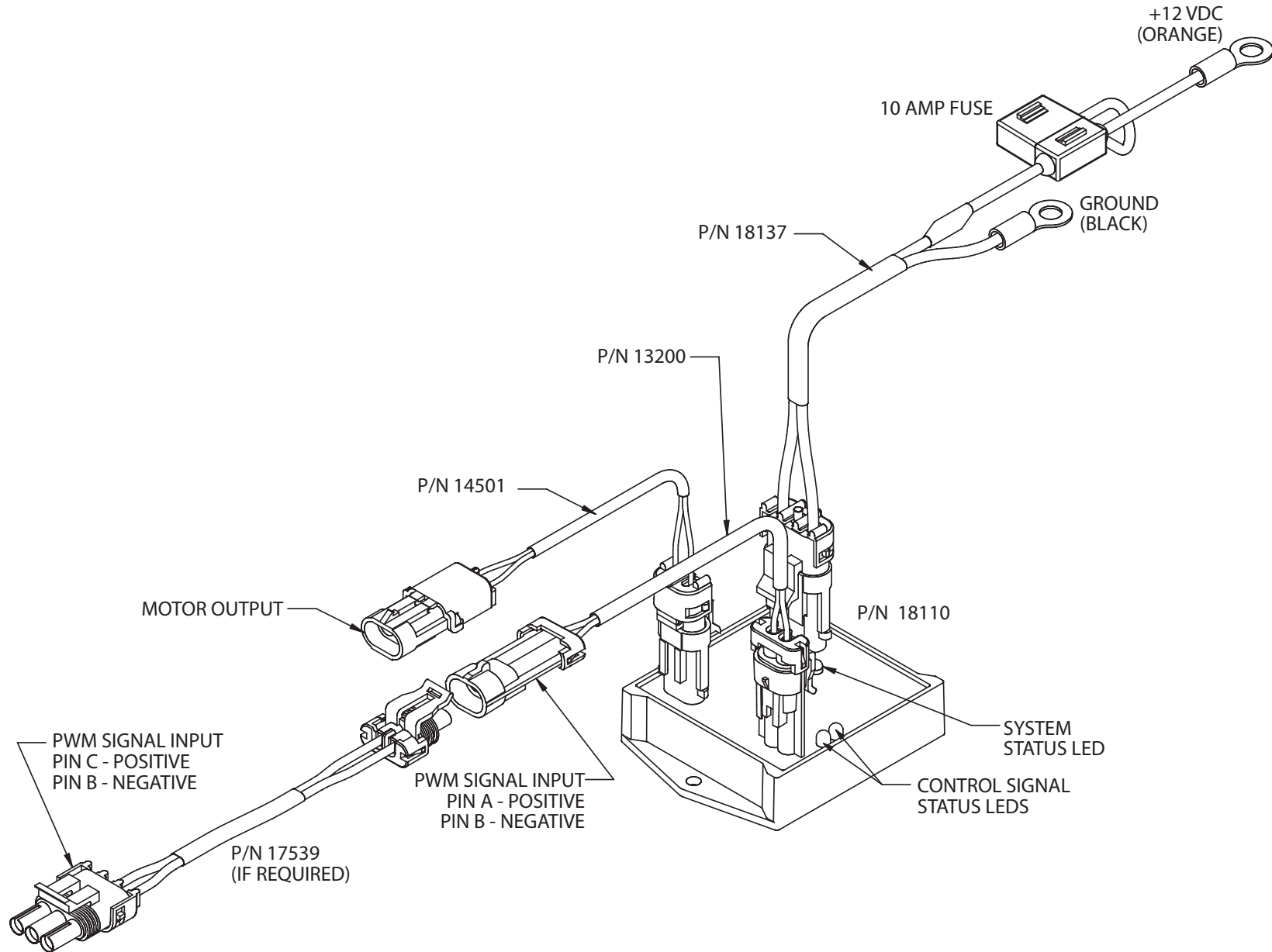
System Diagram

Electric Motor Driver - 10 Amp Standard



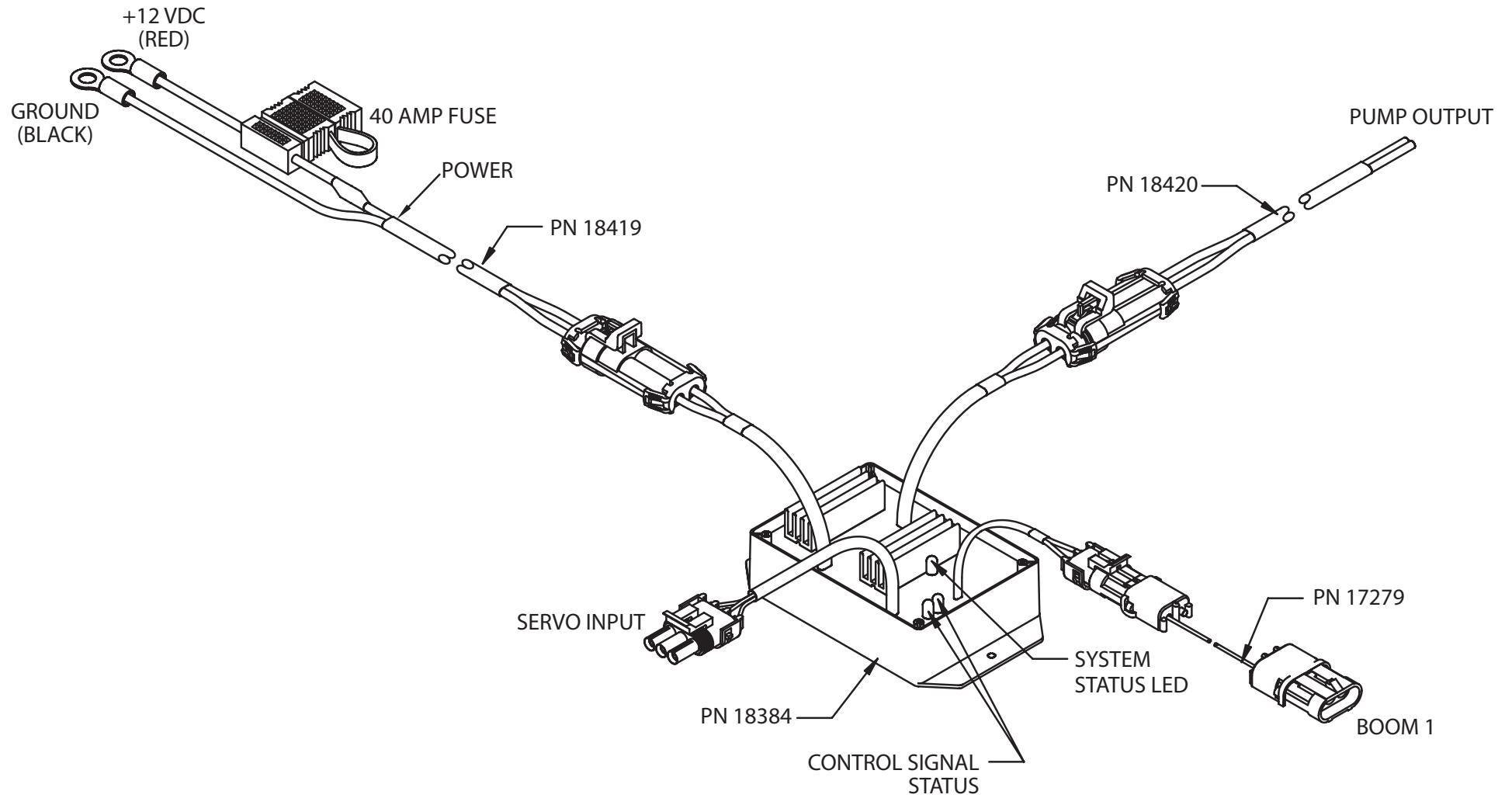
System Diagram

Electric Motor Driver - 10 Amp PWM



System Diagram

Electric Motor Driver - 40 Amp STD



System Diagram

Electric Motor Driver - 40 Amp PWM

